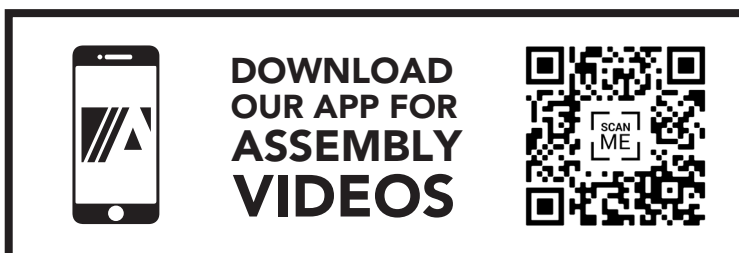


When laying concrete slab, ensure there is a rebated edge 25mm deep around the perimeter. This will help water egress from the base of the shed.



\*Most models available

**PLEASE LEAVE A REVIEW**

Tell us about your experience!  
Visit [www.absco.sheds.com.au/review](http://www.absco.sheds.com.au/review)

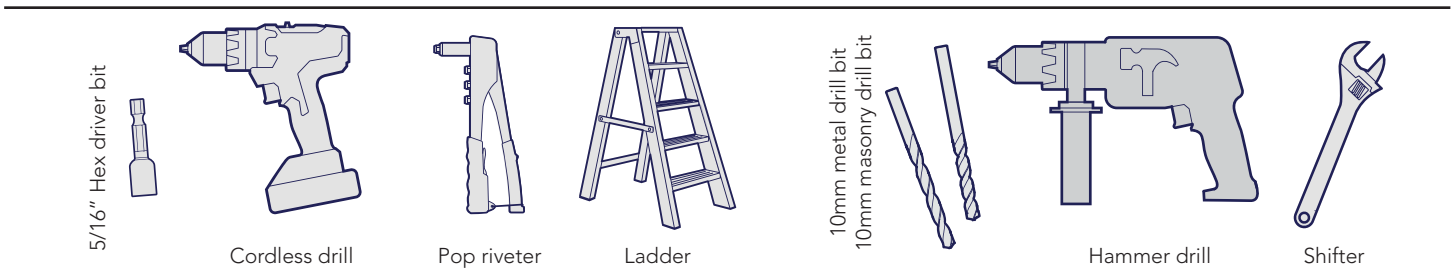
## GENERAL INSTRUCTIONS

- Before commencing any assembly, read through these instructions in detail to gain a thorough understanding of assembly methods and associated details.
- Unpack the carton and carefully identify and check off all the parts against the parts described and illustrated on "COMPONENTS PACKING LIST" pages.

## SITE PREPARATION

- The site for the shed must be level. An uneven surface may result in misalignment of parts.
- The shed shall be erected on top of a reinforced concrete slab and anchored down appropriately illustrated on "FINAL CONSTRUCTION" page.

## TOOLS REQUIRED



## SAFETY NOTES







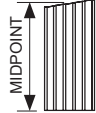

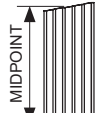
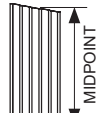
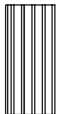





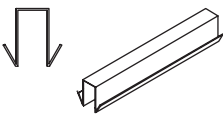

- Some parts may have sharp edges. It is advisable to wear gloves when handling these items and safety glasses if drilling holes. Sensible shoes are highly recommended.
- Do not erect your shed in windy conditions.
- Ensure that the shed is securely anchored to a solid foundation immediately after construction is completed.
- It is highly recommended to erect the shed with two or more people.
- Do not sit, stand or walk on the roof of your shed.

## RECOMMENDED





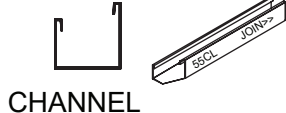
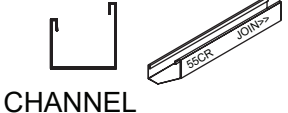


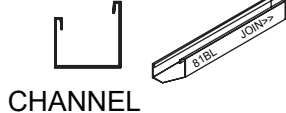
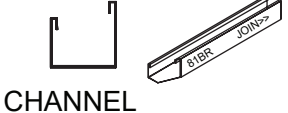

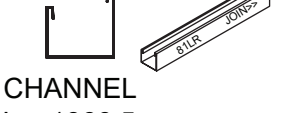
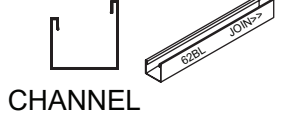
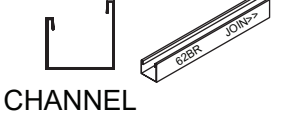

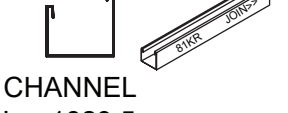
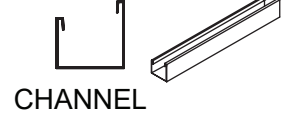
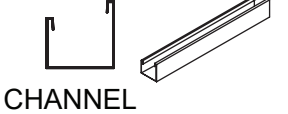


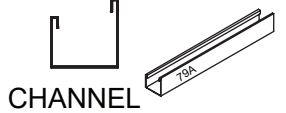
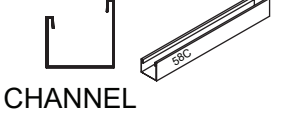
## COMPONENT PACKING LIST

Check off all components.

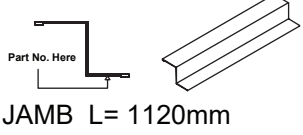
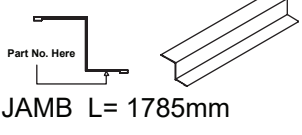
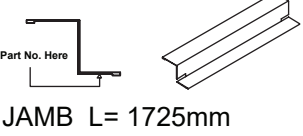
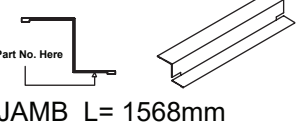

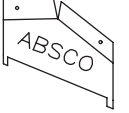
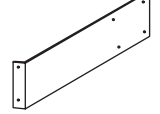
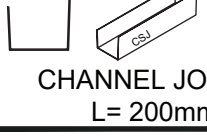

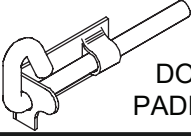
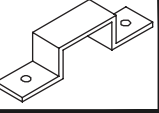
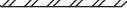
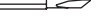



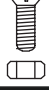
QTY	DESCRIPTION	PART #	CHK	QTY	DESCRIPTION	PART #	CHK
6	 STEEL SHEET 1785 x 773 mm	31A		4	 STEEL SHEET 1785 x 731 mm	32A	
2	 STEEL SHEET 1785 x 711 mm	34A		6	 STEEL SHEET 1546 x 773 mm	45A	
2	 STEEL SHEET 1546 x 773 mm	44L		2	 STEEL SHEET 1546 x 773 mm	44R	
1	 STEEL SHEET 1852 mm TO MIDPOINT x 773 mm	36L		1	 STEEL SHEET 1852 mm TO MIDPOINT x 773 mm	36R	
1	 STEEL SHEET 1979 mm TO MIDPOINT x 773 mm	38L		1	 STEEL SHEET 1979 mm TO MIDPOINT x 773 mm	38R	
1	 STEEL SHEET 1725 x 773 mm	A		1	 STEEL SHEET 1725 x 773 mm	B	
1	 GABLE LEFT 1475 mm	16L		1	 GABLE RIGHT 1475 mm	16R	
1	 BRACE 393 mm	13A		1	 PEAK BRACE 490 mm	15A	
1	 RIDGE BEAM JOINER	ZARSP		2	 RIDGE BEAM 1866 mm	97D L/R	

Nominal sheet widths are shown. +/- 2mm is within tolerance.

**COMPONENT PACKING LIST**

QTY	COMPONENT DESCRIPTION	PART No.	CHECK	QTY	COMPONENT DESCRIPTION	PART No.	CHECK
1	 CHANNEL L = 1496.5mm	77AL		1	 CHANNEL L = 1496.5mm	77AR	
1	 CHANNEL L = 1496.5mm	55CL		1	 CHANNEL L = 1496.5mm	55CR	
2	 CHANNEL L = 1829.5mm	62AL		2	 CHANNEL L = 1829.5mm	62AR	
1	 CHANNEL L = 1496.5mm	81BL		1	 CHANNEL L = 1496.5mm	81BR	
2	 CHANNEL L = 1866.5mm	81LL		2	 CHANNEL L = 1866.5mm	81LR	
2	 CHANNEL L = 1866.5mm	62BL		2	 CHANNEL L = 1866.5mm	62BR	
2	 CHANNEL L = 1829.5mm	81KL		2	 CHANNEL L = 1829.5mm	81KR	
1	 CHANNEL L = 1518mm	T4L		1	 CHANNEL L = 1518mm	T4R	
2	 CHANNEL WITH HINGES L = 1725mm	58A		1	 CHANNEL L = 1725mm	58B	
1	 CHANNEL L = 1568mm	79A		4	 CHANNEL L = 773mm	58C	

**COMPONENT PACKING LIST**

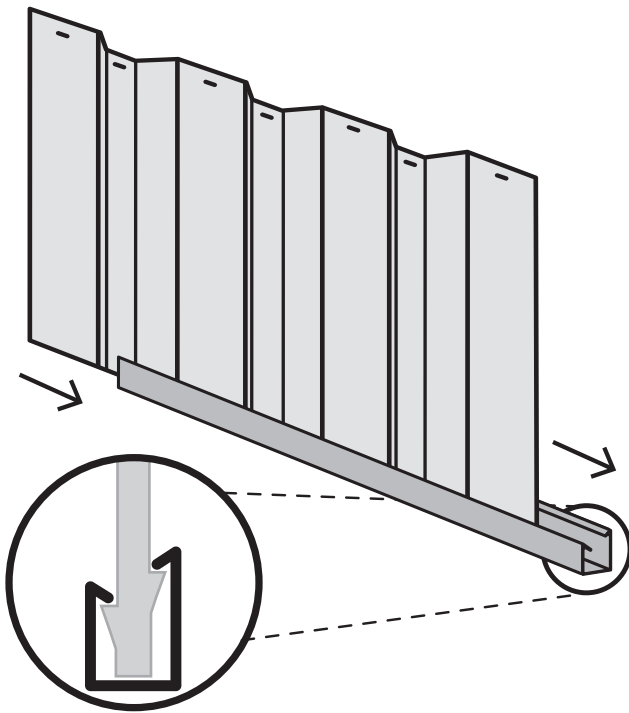
QTY	COMPONENT DESCRIPTION	PART No.	CHECK	QTY	COMPONENT DESCRIPTION	PART No.	CHECK
4	 Part No. Here JAMB L= 1120mm	91A		2	 Part No. Here JAMB L= 1785mm	89A	
1	 Part No. Here JAMB L= 1725mm	89C		1	 Part No. Here JAMB L= 1568mm	90A	
				4	 LIP TRIM L= 1546mm	87B	
<b>INSTRUCTIONS &amp; FITTINGS PACKET</b>							
2	 CAP GABLE L: 170mm	14A		1	ASSEMBLY INSTRUCTIONS		
2	 DOOR STRAP L: 6.5"	12A		1	PSTKDBL DBL DOOR FITTINGS PACK		
11	 CHANNEL JOINER L= 200mm	CSJ		10	 HEX HD TEK SCREW W/ NEO WASHER 10-16x16mm	FAST033	
<b>PSTKDBL - DOUBLE DOOR FITTINGS PACK</b>							
3	 DOOR PADBOLT	FAST006		2	 DOOR PADBOLT HASP	FAST007	
1	3mm DRILL BIT 	DRILL		1	PHILLIPS DRIVER BIT 	FAST038	
1	 SELF TAPPING SCREWS PACKET CONTAINING 220			1	PACK12P SCREW PACK 12		
<b>PACK12P - SCREW PACK 12</b>							
8	 3/16 ROUND HEAD BOLTS & NYLOCK NUTS			12	 3.2 x 8mm BLIND POP RIVETS		
12	 3/16 COUNTERSUNK SCREWS & NUTS						

## SNAPTITE ASSEMBLY GUIDE

The Snaptite Assembly System locks end channels to all roof and wall sheets without the need for tools and fasteners.

To assemble each panel, the perimeter channels are secured to the top and bottom of each panel. Gently tap the channel over the SNAPTITE lugs on the sheet, working along the sheet.

Each perimeter channel must finish flush with the edges of the sheets. Simply tap the channel along the sheets until each end is neatly flush. If you need to remove channels from the panels, slide it off from the side.



**SNAPTITE**  
World's Easiest Assembly System  
*UNIQUE PATENTED SYSTEM*

Channel locks the shed panel into position without the need for screws!

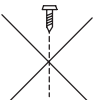
### FASTENING SYMBOLS

**SNAPTITE**

Secure channel to sheeting by SNAPTITE fastening method.



Join components together with one screw at this location only, as some channels have extra holes that are not required for this model of shed.



Do not join components together at this location yet, as the screws may obstruct further assembly of the other components.



Join components together by pre-drilling the holes first. Use one component as template to mark where the holes are and drill with a 3mm drill bit.



3mm pop rivet



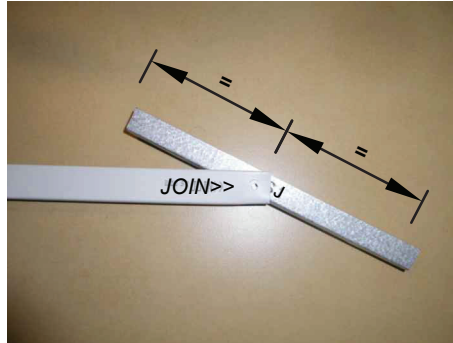
4mm nut and bolt set.

## Guide on Joining Spliced Channels

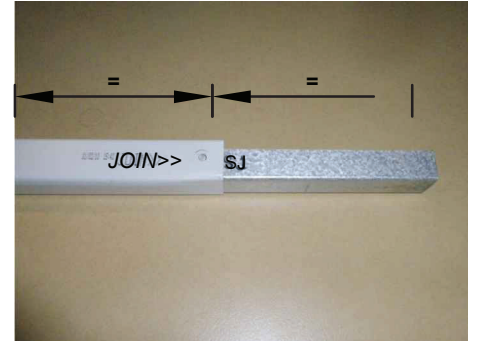
The text marked on all parts must be shown on the same side as each other



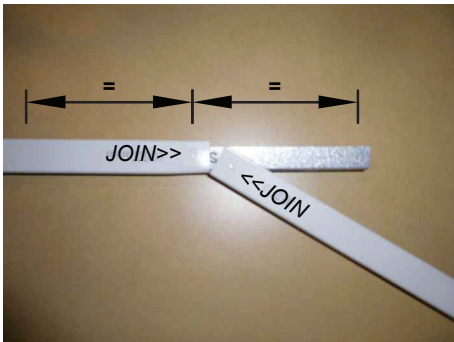
Step 1.  
Position the channels and the CSJ joiner so the centre of the CSJ is in line with the end of each channel to be joined together.



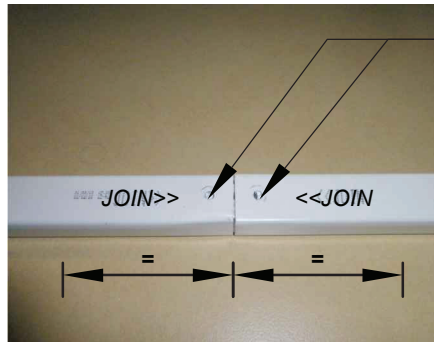
Step 2.  
Join the first channel to the CSJ by inserting the centre of the CSJ, on an angle, to the end of the channel where the JOIN>> text is marked.



Push down one side of the CSJ until you hear a 'click'.

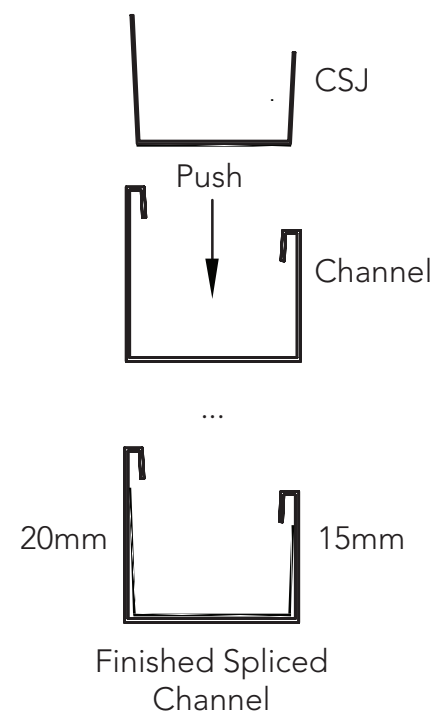


Step 3.  
Join the second channel to the CSJ by positioning the <<JOIN of the channel at the centre of the CSJ, on an angle. Push the CSJ into the channel until you hear a 'click'.



Finished Channel.  
The joined channels should now look like the picture with the CSJ positioned equally inside of the joined channels.

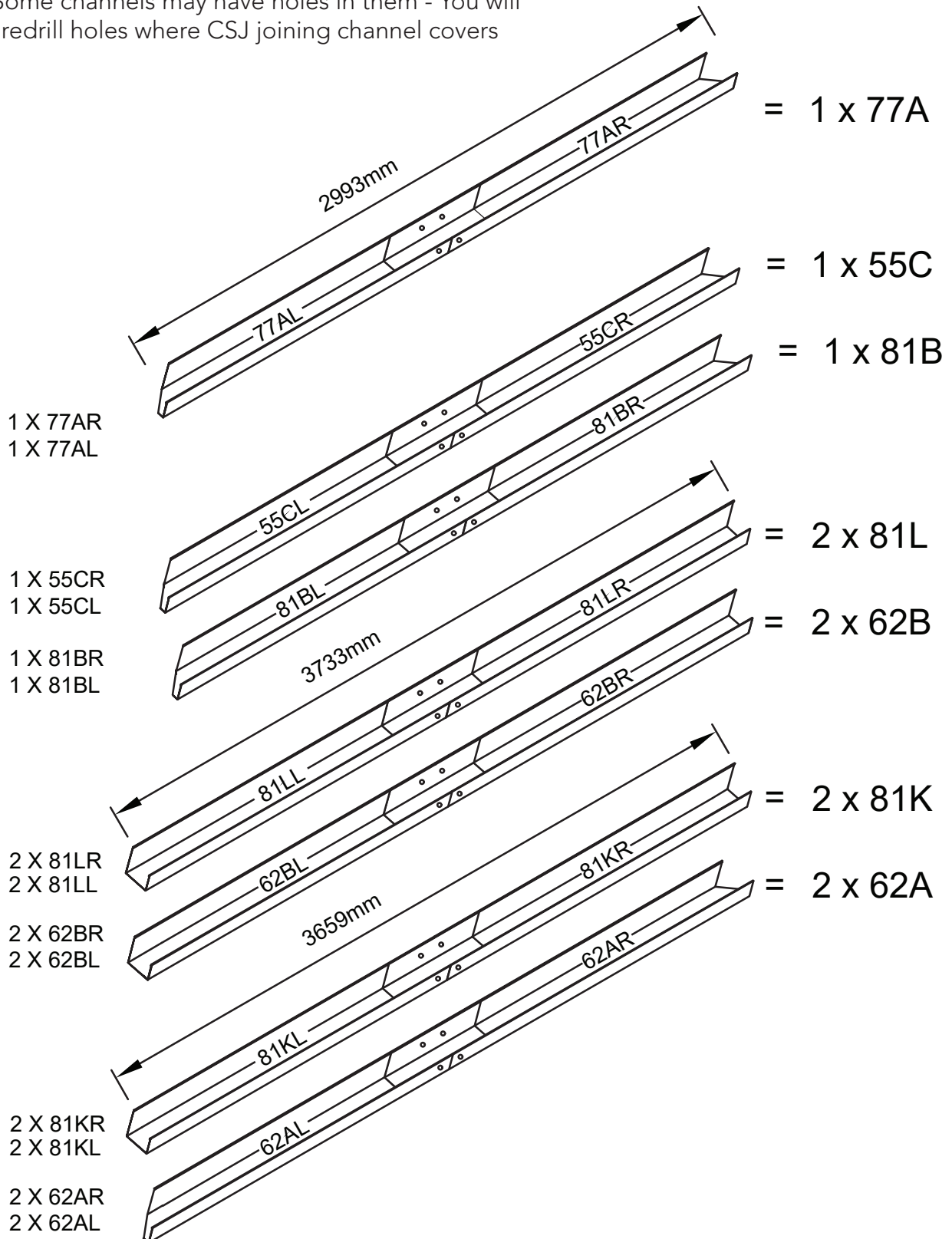
Drill out holes with 3mm drill bit in CSJ to match the holes in channel. Drilling of screws on the joined channels is being done after sheets are locked on the spliced channels.



## PRE-ASSEMBLY OF SPLICED CHANNELS

Join together 22 x channel sections using 11 x channel joiners (Part CSJ)

NOTE: Some channels may have holes in them - You will need to redrill holes where CSJ joining channel covers them.

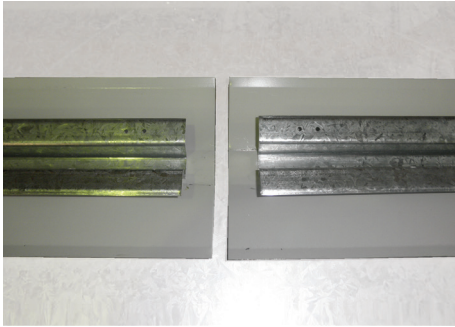




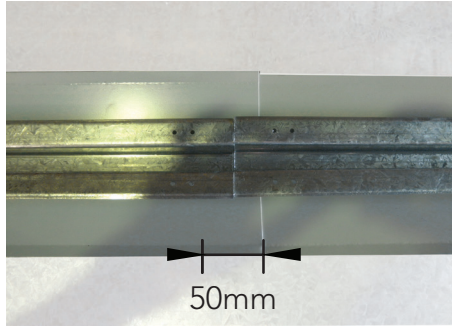
## Guide on Joining a Spliced Ridge Beam

Follow these three steps to assemble a ridge beam.

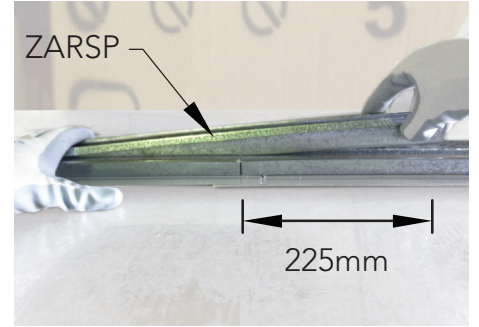
If present, remove plastic coating from top side of ridge beam capping before assembly.



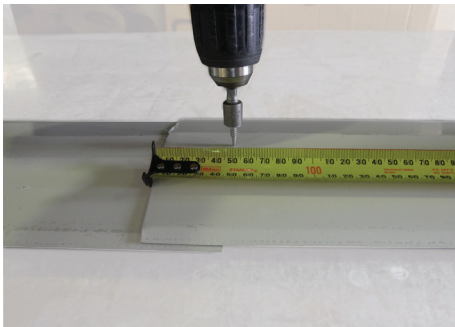
**Step 1.**  
Place two ridge beams as shown and push them together. Slide the cap of one under the other.



**NOTE.**  
There is a 50mm overlap of the ridge caps when the beams are in position.



**Step 2.**  
Use the ZARSP to connect at the centre of the two ridge beams. Be sure it is pushed in fully.

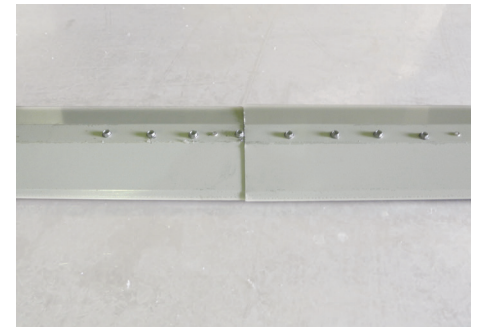


**Step 3.**  
Turn over the ridge beam. Measure 250mm from the middle along the centre of one ridge beam, mark spacings of 50mm. Fasten with a Tek screw at each marking.



Repeat to the other side of the ridge beam assembly.

**TIP:** Pre-drilling each hole with the 3mm drill bit makes it easier to fasten.



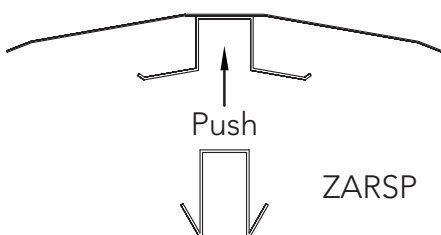
Finished Spliced Ridge Beam



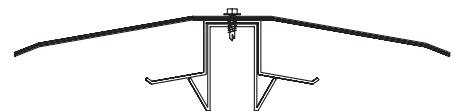
Hex Driver Bit



Hex Hd Self-drilling tek screw with neoprene washer

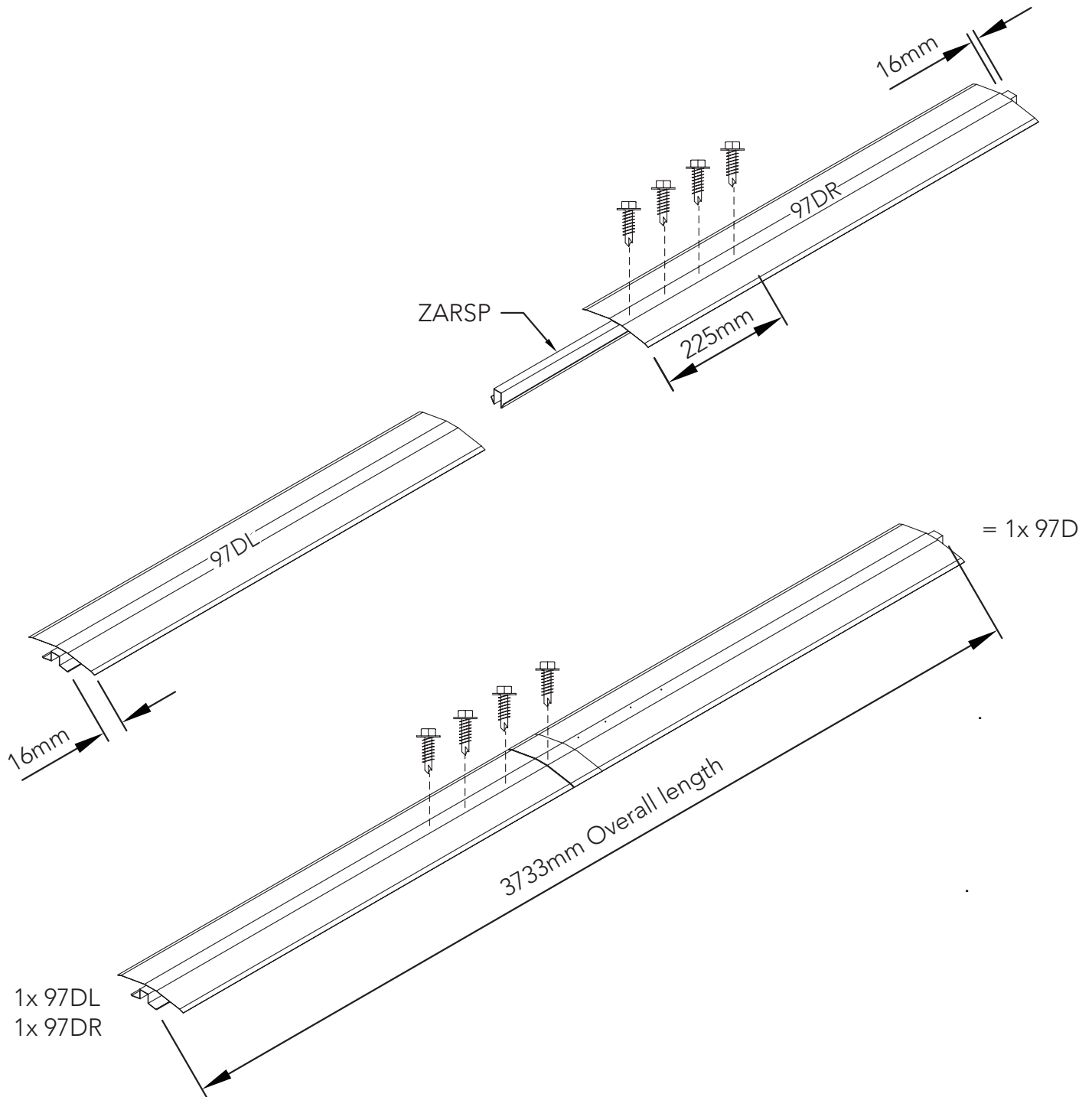


ZARSP



Finished  
Joined Ridge Beams

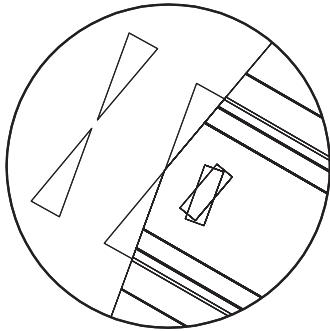
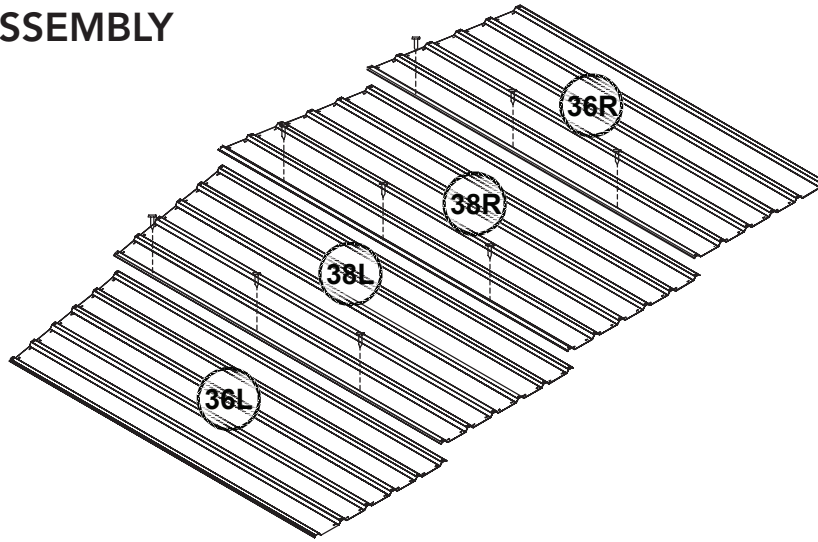
**PRE-ASSEMBLY OF SPLICED RIDGE BEAM**



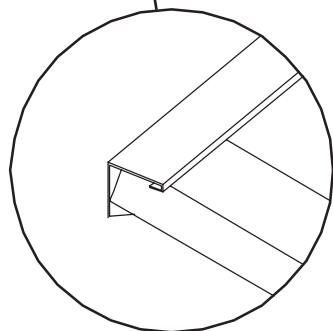
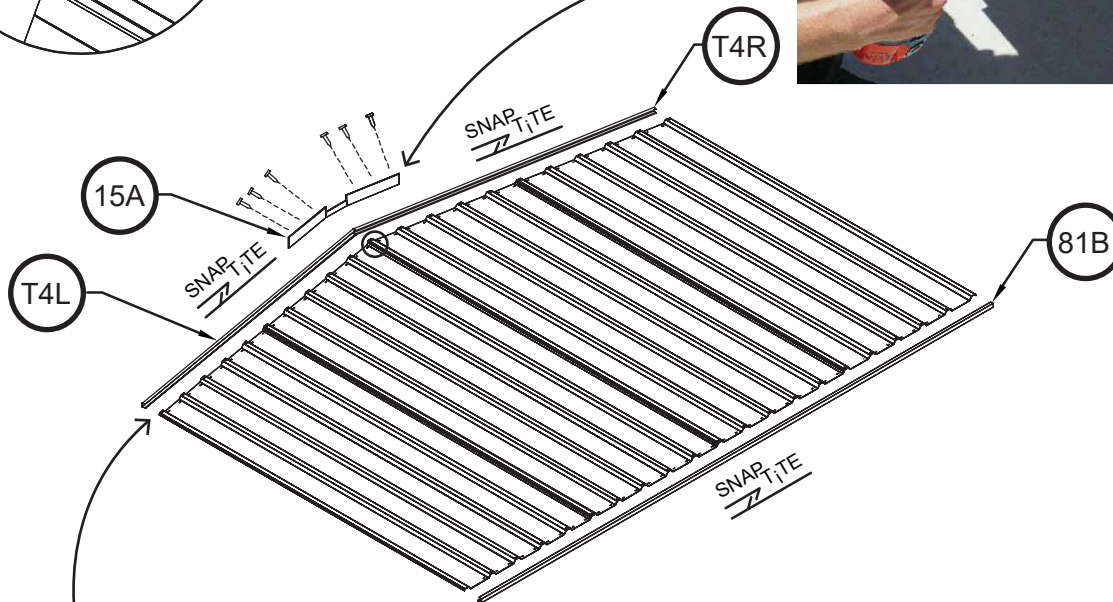


## REAR PANEL ASSEMBLY

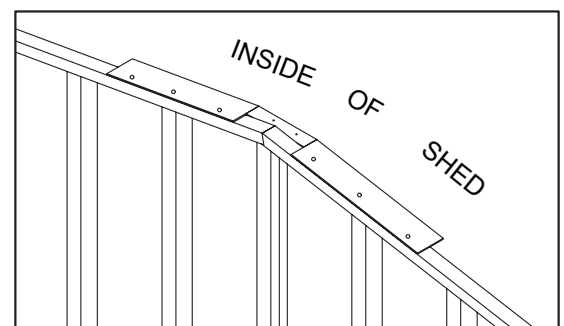
1x required.



NOTE: Trim the tips of the centre sheets with tinsnips to allow channels to fit hard up to the edge of the sheet before attaching channels.



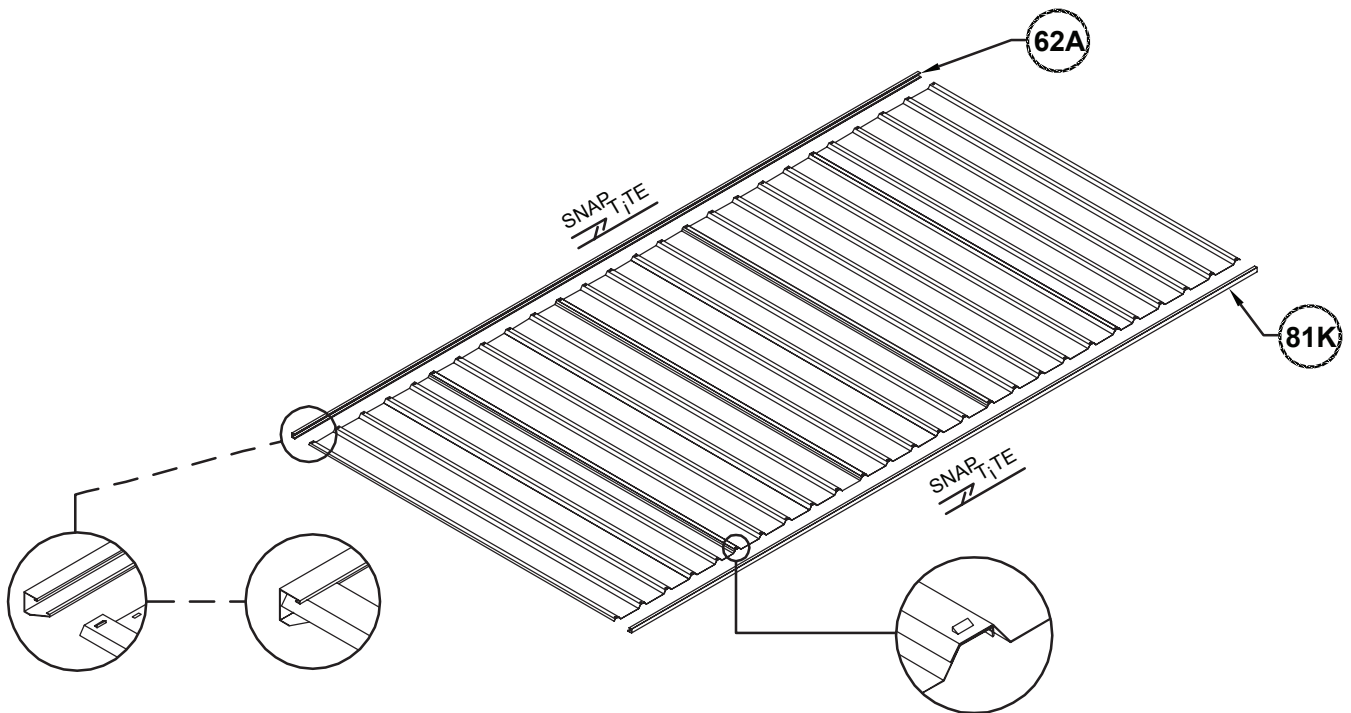
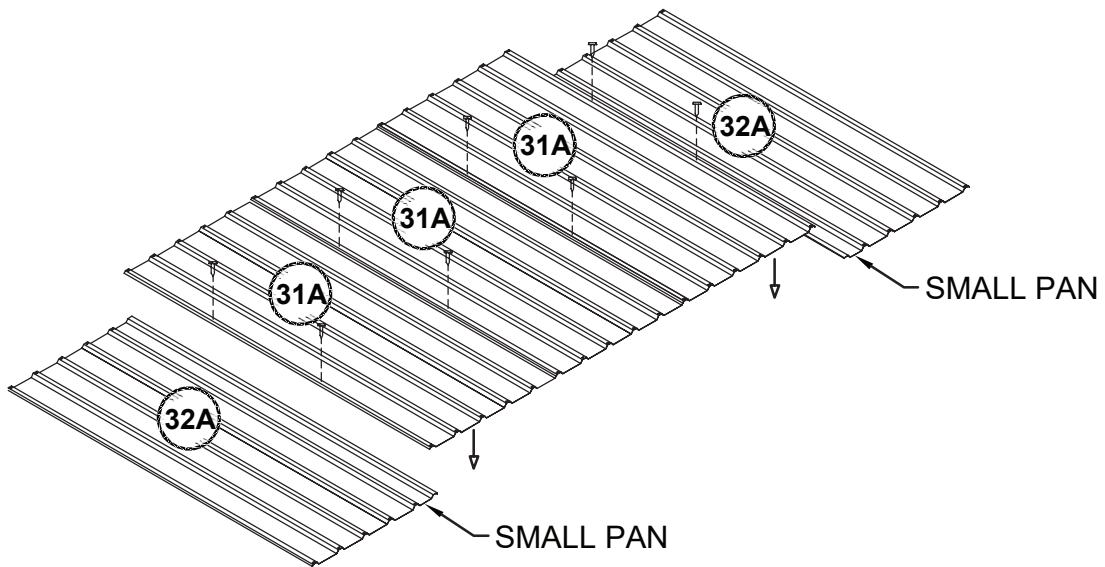
The notched end of the channels are to be positioned to the sides of the panel





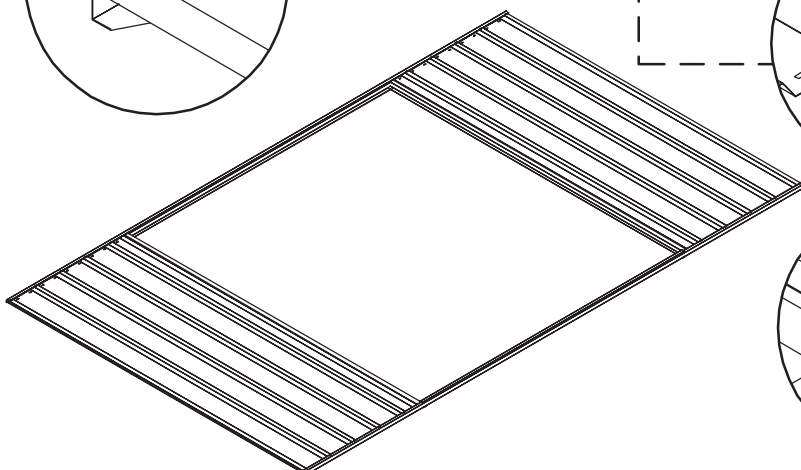
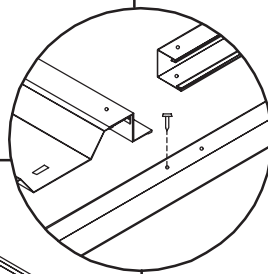
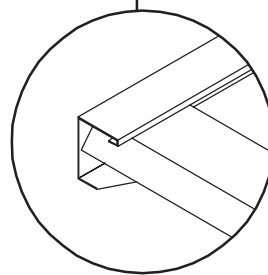
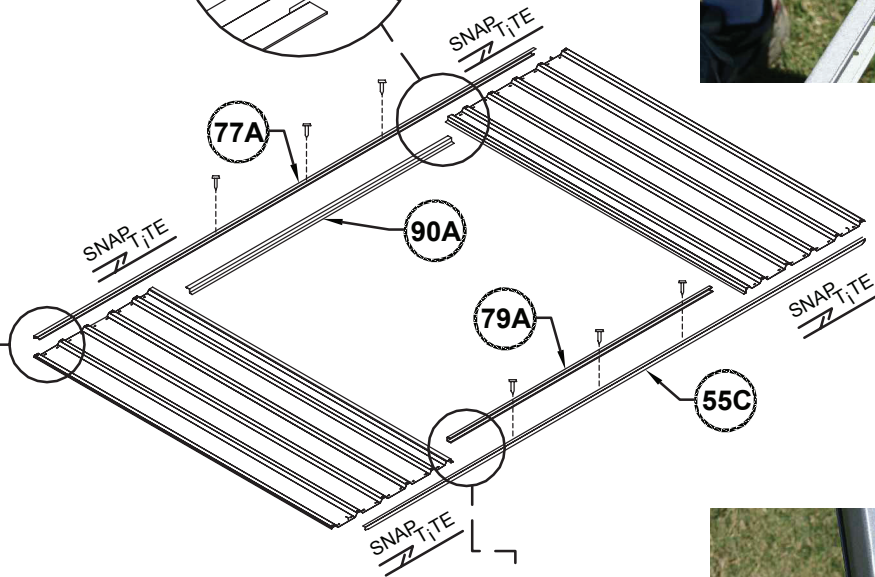
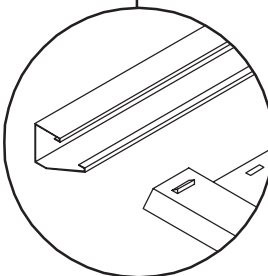
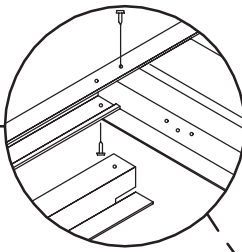
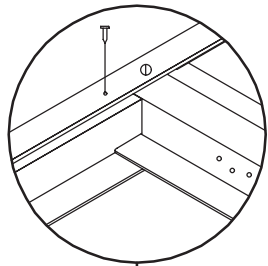
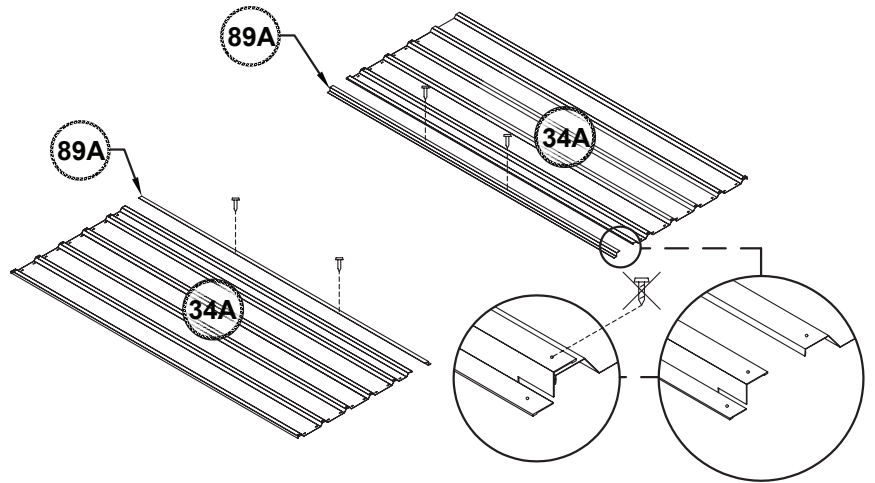
**SIDE PANEL ASSEMBLY**

2x required.



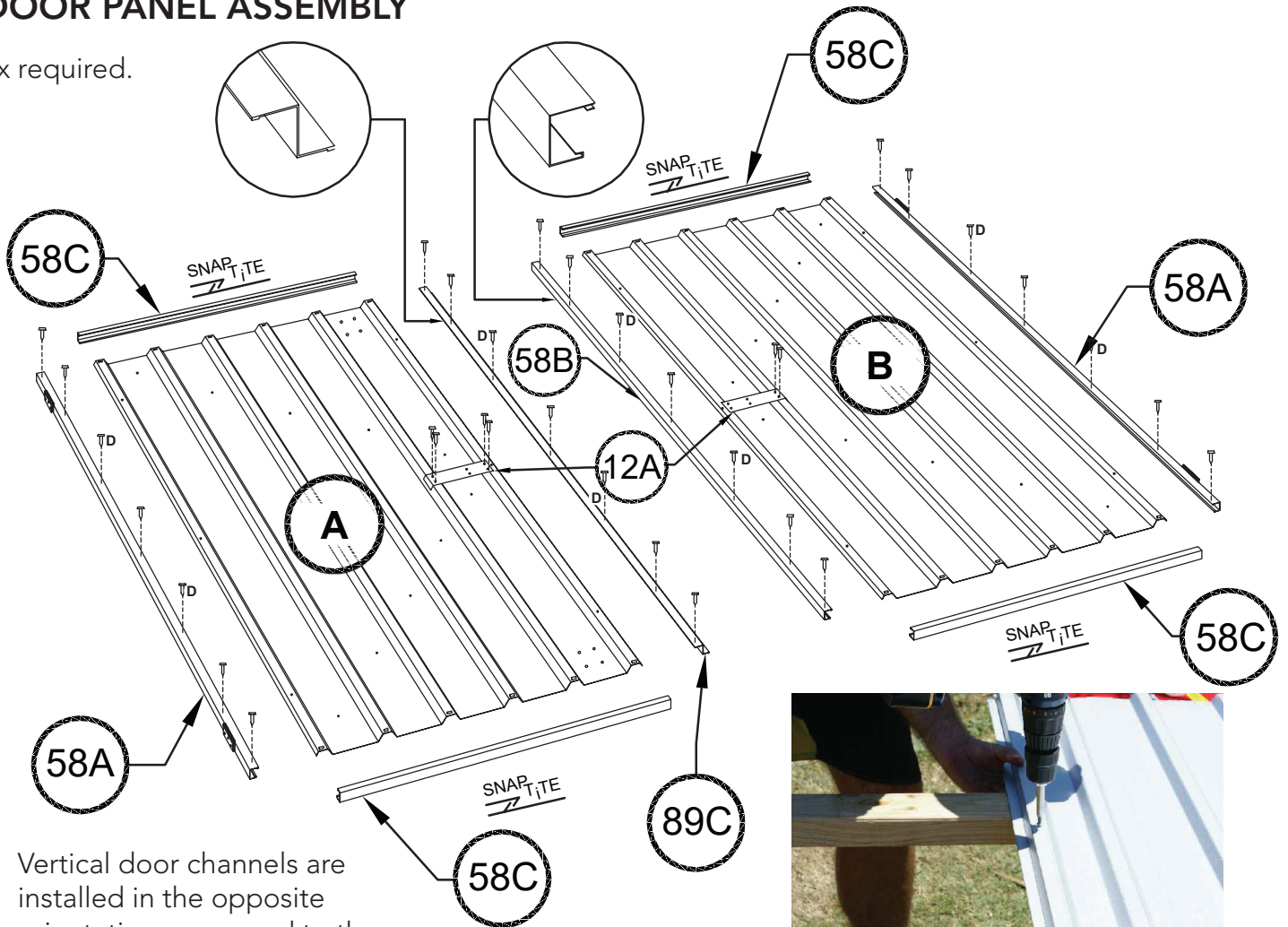
## FRONT PANEL ASSEMBLY

1x required.

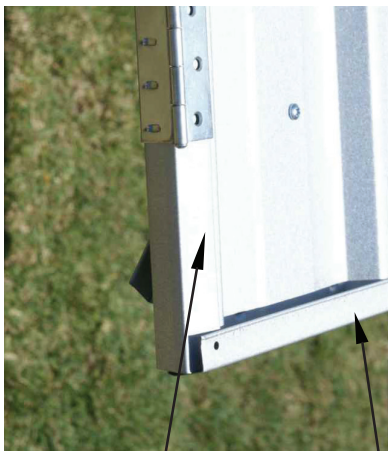


**DOOR PANEL ASSEMBLY**

1x required.

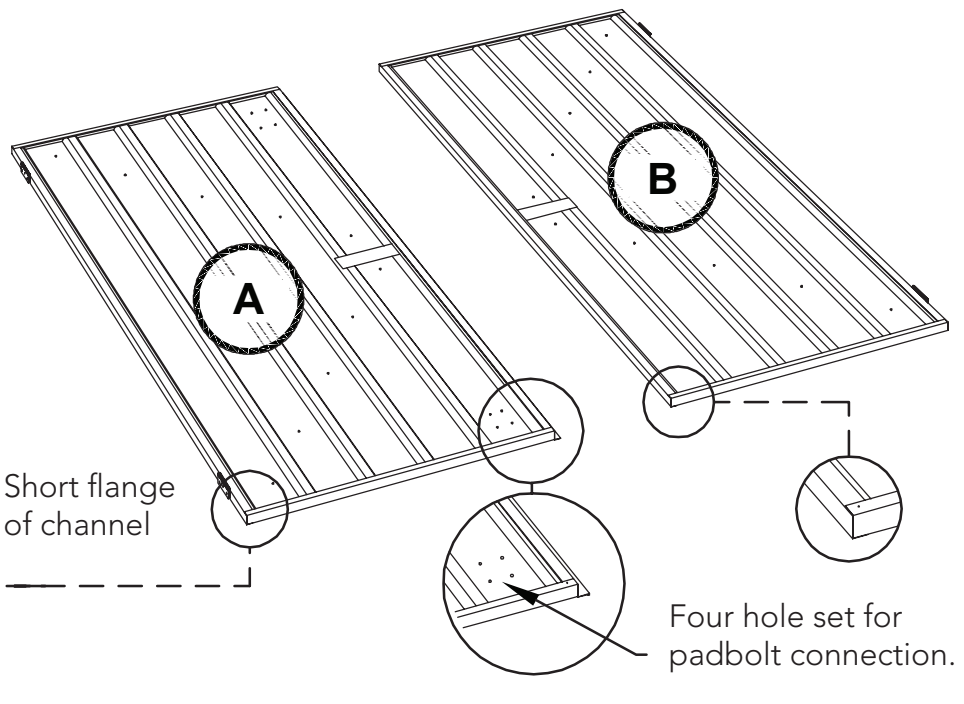


Vertical door channels are installed in the opposite orientation compared to the horizontal door channels.



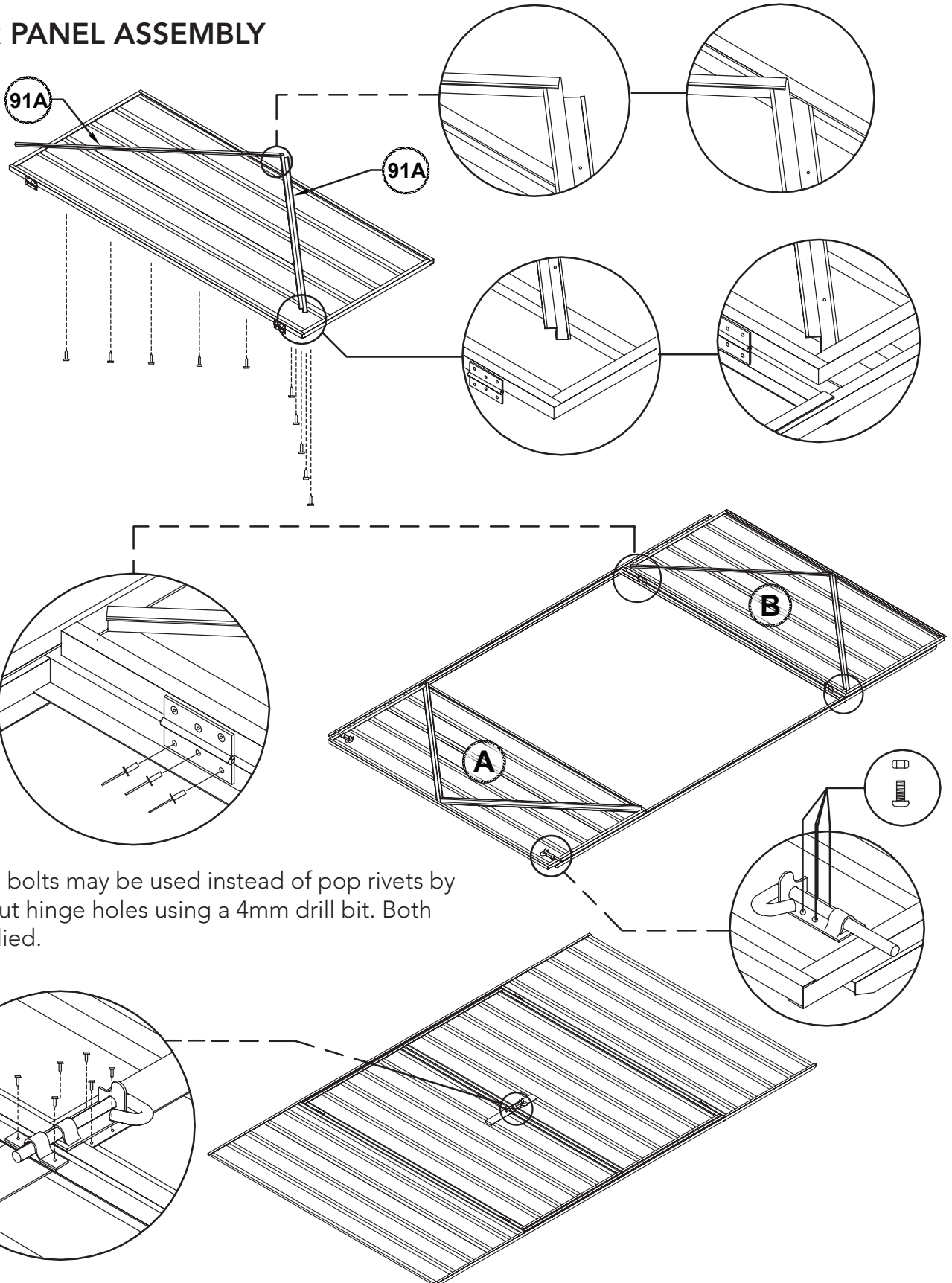
Long flange of channel

Short flange of channel





**DOOR PANEL ASSEMBLY**

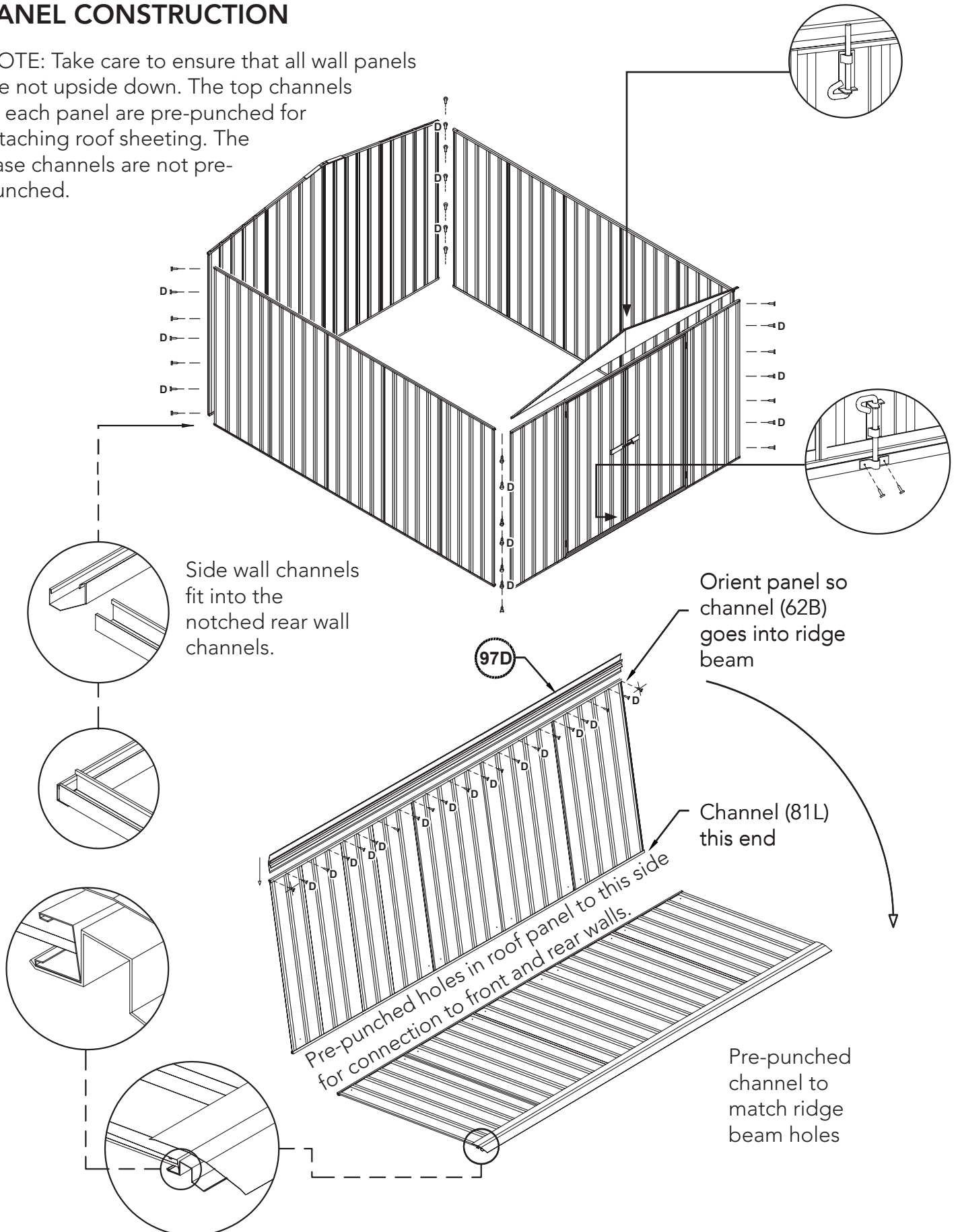


Nuts and bolts may be used instead of pop rivets by drilling out hinge holes using a 4mm drill bit. Both are supplied.

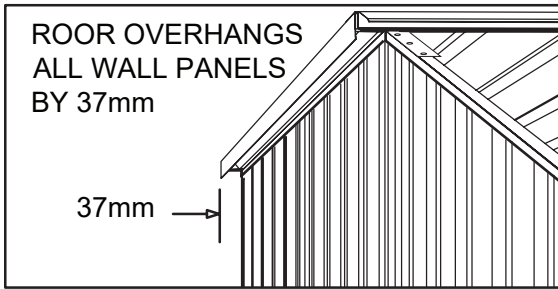
The two holes required to connect the padbolt hasp for each door have not been pre-punched, to allow for proper alignment, position each hasp centrally over the padbolt shaft and drill 3mm holes and secure with screws.

## PANEL CONSTRUCTION

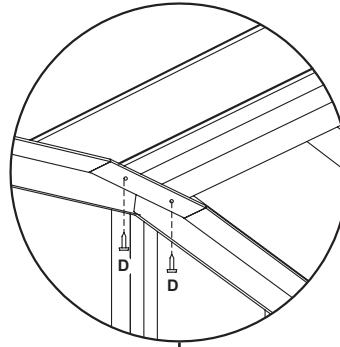
NOTE: Take care to ensure that all wall panels are not upside down. The top channels of each panel are pre-punched for attaching roof sheeting. The base channels are not pre-punched.



### OUTSIDE VIEW

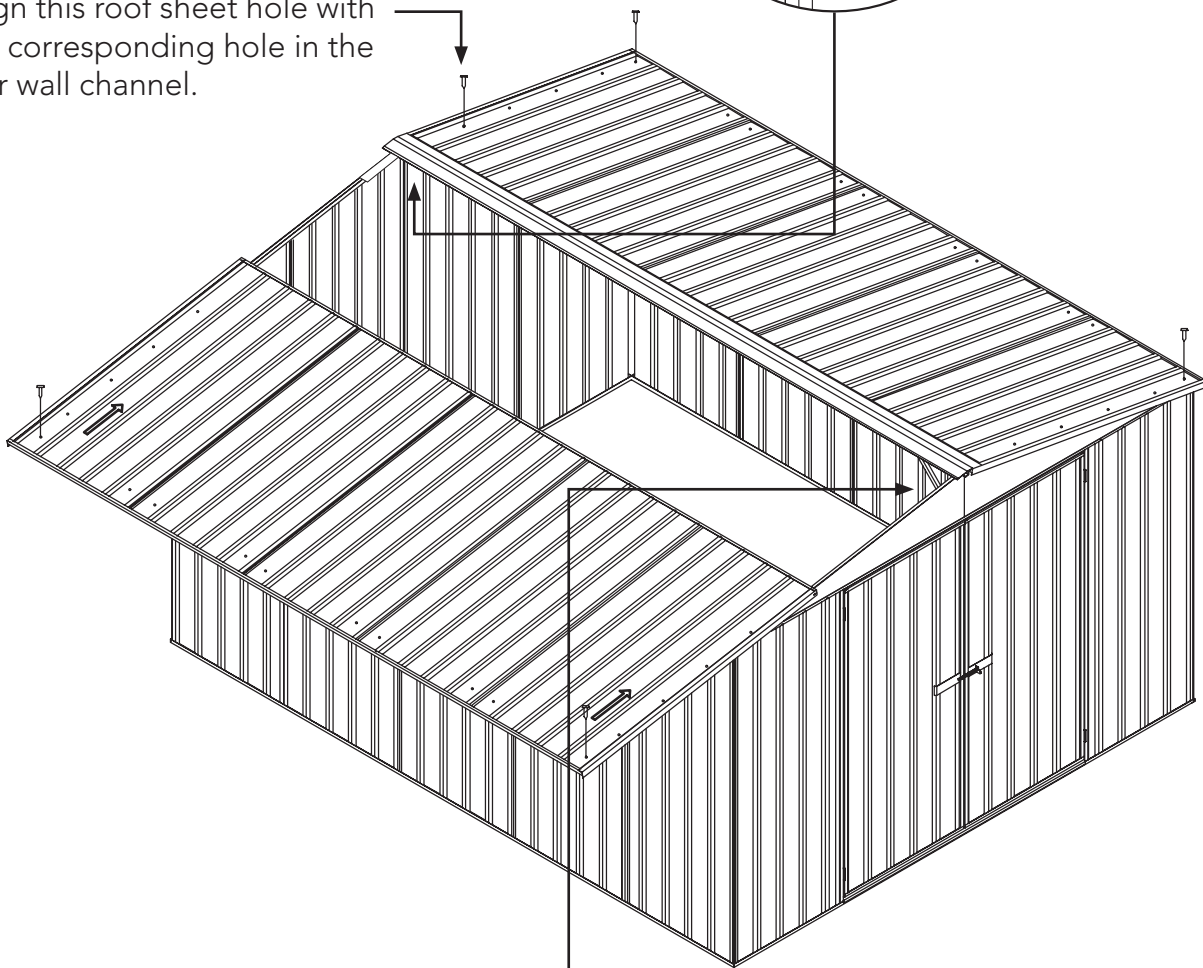


### INSIDE VIEW OF REAR WALL

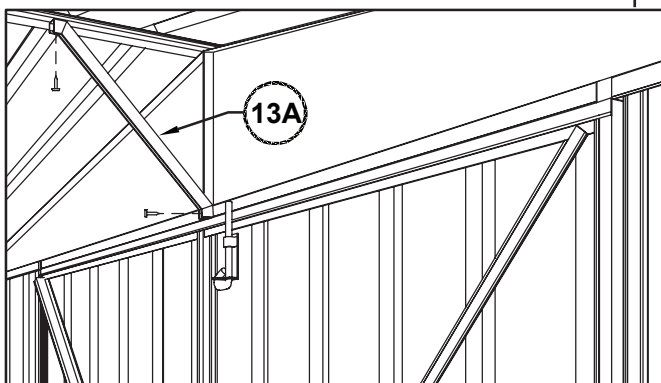


Drill new holes in the ridge beam (3mm bit) through the peak brace and fix with a FAST001 after the roof panel is inserted

Align this roof sheet hole with the corresponding hole in the rear wall channel.

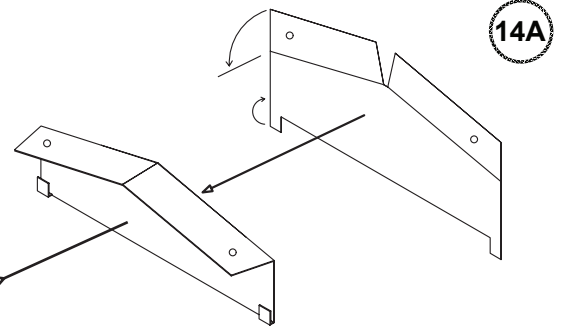
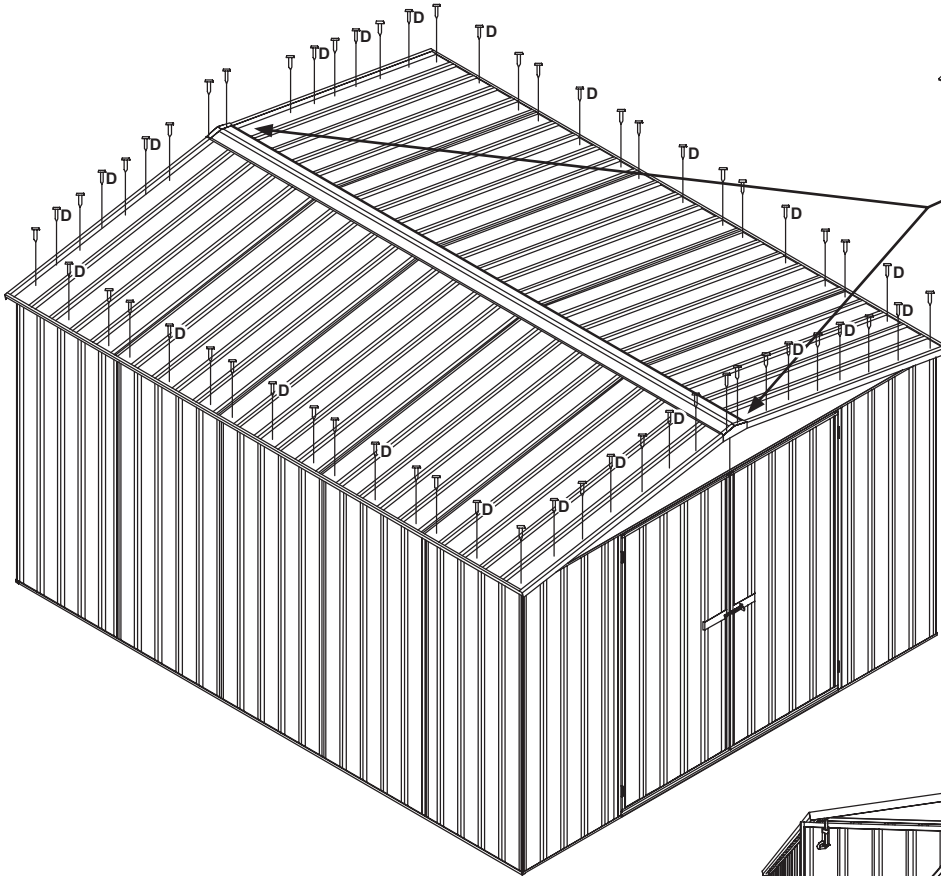


### INSIDE VIEW OF FRONT WALL

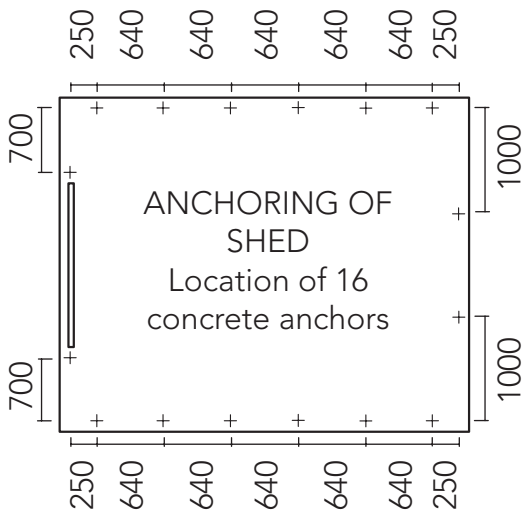
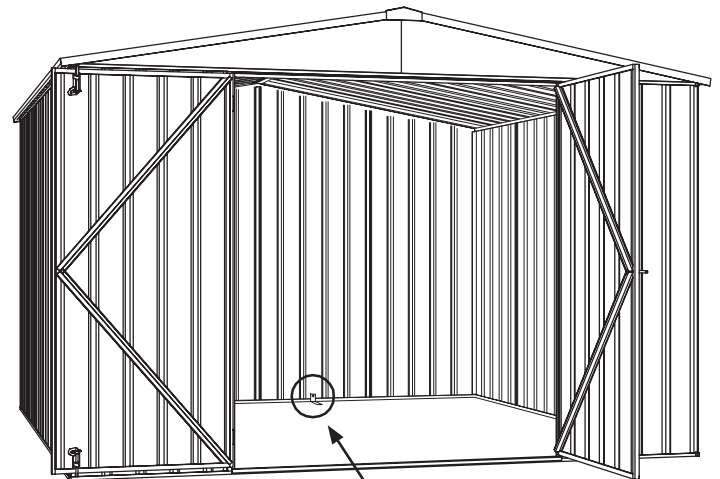


After attaching both roof panels to walls, fit one regent brace to the ridge beam and front wall as shown. You will have to remove and replace existing screws at fixing locations.

**FINAL CONSTRUCTION**



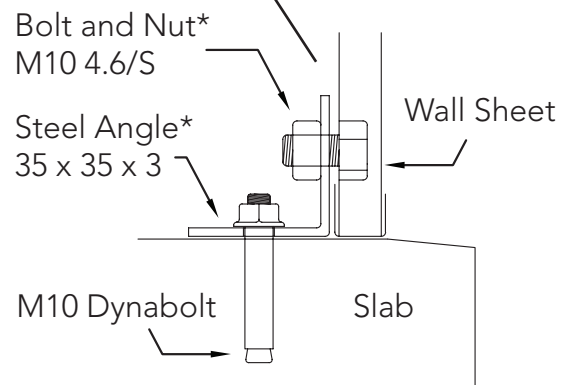
Bend the top and bottom flanges as shown, then hook the bottom flanges under the top channel and screw top to the ridge beam with two screws.



Each anchor consists of one nut, bolt, M10 dynabolt and steel angle.

Drill a 10mm hole into the wall sheet.

Drill a 10mm hole into the concrete.



\* Denotes hot dip galvanised finish

---

## Absco Sheds Storage Guidelines

- Absco Sheds are designed to be weatherproof for normal weather conditions. In the event of extreme weather conditions such as heavy rain, combined with high wind gusts, the ridge capping, sheeting joints, screw fixings etc., may exhibit minor deformations which may allow some water entry. These areas should be checked regularly to ensure that maximum strength and protection is maintained.
- Other weather conditions such as extreme heat and extreme cold, moist or dry air can influence the effects of concrete floor moisture and/or condensation on the underside of the roof sheets.
- Absco Sheds and storage units are primarily used for storage of garden equipment such as lawnmowers, wheelbarrows, garden tools etc. Storage items that might be adversely affected by any of the above conditions may require additional protection such as being sealed or covered by plastic sheets and/or stacked above the concrete floor on timber slats.
- Waterproof sealants may be used to offer further protection where required around joins and screw fixings, as can rubber door seals and other products which are available from most hardware outlets.
- Placement of waterproof sealants (silicone) between the base of the shed and concrete slab is not recommended, as this process can have a reverse effect, preventing excess water from escaping, resulting with water accumulating and being trapped inside the shed.
- Absco accepts no responsibility for water entry, floor moisture, condensation or the condition of the Contents inside your Absco steel building arising from any of the pre-mentioned weather conditions.